

THE DROWN

MARINE
DISTRIBUTION
2021-2022



CONTENTS

ROLLERS & ACCESSORIES

AMBER PVC ROLLERS	4-5
BLACK PVC ROLLERS	6-7
RUBBER ROLLERS	8-9
ROLLER BRACKETS & ACCESSORIES	
Panel Brackets.....	10-11
Roller Brackets.....	11
Roller Shafts & Cap Nuts.....	12-13
Wobble Roller Rings.....	13
Wobble Roller Bunk Bracket Kit	13

BUNKS & ACCESSORIES

ROLLER BUNKS	14
WOBBLE PIVOT BARS	14
WOBBLE ROLLER FRONT ASSEMBLY	14
BUNK BOARDS	15
GLIDE ON'S	
Bunk Glide On's	15
Modular Glide On's	15
Bunk Slicks	15
BUNK CARPET	16
BRACKETS	
Bunk Brackets	16
Bolster & Swivel Brackets	16
PWC Bunk Brackets	17
Vertical Bunk Brackets	17
Pontoon Bunk Brackets	17

GUIDE ON'S & ACCESSORIES

BUNK BOARD GUIDE ON'S	
Carpeted Bunk Guide On's	18
Bunk Board Hardware Kit.....	18
Premium Side Guide On's	18
I-BEAM MOUNTING KIT	19
POST GUIDE ON'S	
PVC Heavy Duty Guide On's (with lights).....	19
Premium PVC Adjustable Guide On's	20
Premium Polymer Adjustable Guide On's	20
Floating Guide Post	21
ROLLER GUIDE ON'S	
Fixed Angle Roller Guide On's	22
Adjustable Roller Guide On's	22
PWC Boat Guide On's	22

PONTOON GUIDE ON'S

Pontoon Guide On's.....	23
Floating Adjustable Pontoon Guide On's	23
Heavy Duty Pontoon Guide On's	23

BOW/WINCH MOUNTS

WINCH STAND ASSEMBLIES	24
ADJUSTABLE PWC WINCH STAND	24

FENDERS

METAL FENDERS

Galvanized Metal Fenders	25
Aluminum Treadbrite Fenders	25
Adjustable Treadbrite Fender	26

PLASTIC FENDERS

Small Plastic Fenders	27
PWC Plastic Fenders	27
Large Plastic Fenders	27
SUV Single Plastic Fenders	28
SUV Mount Fender Bracket	28

FENDER BRACKETS

Flush Mount Bracket (for plastic)	29
Offset Mount Bracket (for metal)	29
Flush Mount Bracket (for metal)	29
Flush Mount Bracket (for plastic)	29
Offset Mount Bracket (for metal)	29

U-BOLTS

U-bolts	30
---------------	----

SPARE TIRE CARRIERS

Side Mount	31
High Mount	31
Angled/Pivoting	31
Spare Tire Carrier (for high frames)	31
Heavy Duty Tire Carrier	32
Spare Tire Carrier (for aluminum frames) ...	32
Spare Hub & Tire Carrier	32
Tire Carriers w/Eliminator Spindle & Hub ...	32
U-bolt Spare Tire Carrier	32

TRAILER TONGUES

SwingKing	33
-----------------	----

CABLES & STRAP

Hitch Cables	34
Winch Straps	34
Winch Cables	34

ACCESSORIES

Quick Links	35
Hooks	35
“S” Hook Chain Keepers	35
Safety Chains	35-36
Tie Down Frame Bracket	36
Fluted Shackles	36
Spring Hangers	36
Tail Light Protector	36
License Plate Mounting Bracket	37
Universal Tail Light Bracket	37
Hex Head Bolts	37

MARINE ANCHORS

DANFORTH® ANCHORS

DANFORTH® Standard®	38
DANFORTH® Hi-Tensile®	38

HOOKE® ANCHORS

Hooker® Quik-Set	39
Super Hooker®	39

ANCHOR KITS

DANFORTH® S600 Anchor Kit	40
Super Hooker® Anchor Kits	40
Hooker Quik-Set® 10HQ Anchor Kit	40
Tie Down Mate.....	40
Tie Down Mate Kit.....	40

ANCHOR ACCESSORIES

DANFORTH® Anchor Rope	41
Chains & Shackles	41
Anchor Display Stand	41

DOCK HARDWARE

Lag Bolt Sets	42
Carriage Bolts Sets	42
Hex Head Bolt Sets	42
Connector Pin Sets	43
Outside Corner - Female	43
Outside Corner - Male	43
Outside Corner End	43
Inside Corners	44
Inside Rolling Ramp Bracket	44
“T” Connector - Male	44
“T” Connector - Female	45
Washer Plates	45
Back Up Plates	45
Angle Brackets & Clips	46
Corner Pipe Holder - Inside	46
Corner Pipe Holder - Outside	47
Chain Retainer	47
Piling Hoop	47
Backing Plate - Hurricane Strap	48
Roller Pile Holder - 14 in. Hoop	48
Chain Pile Holder	48
Pile Holder - 14 in. Internal	48
Deck Plate	49
Piling Hoop	49
Roller Assembly	49
Piling Hoop & Roller	49
Piling Rod & Ring	50
Pilling Hoop	50
Universal Deck Plate	50

DOCK LADDERS

Step Ladder (galvanized).....	51
Step Ladder (blue power coat).....	51
Speed Release Bracket	51
Aluminum Ladders	51

ROLLERS

AMBER PVC ROLLERS

Exclusive to Tie Down, our Hull Sav'r PVC rollers, bow and keel accessories are made of a high-quality, poly-vinyl material that is cut and fade resistant. Ideal for a variety of boats and trailers, these products are designed to protect the boat from markings and absorb impact while withstanding both salt water and freshwater conditions. Backed with a lifetime guarantee and proudly made in the U.S.A.



3 in. Bow Roller Assembly
w/End Bells, 1/2 in. Shaft
Part ID: **86143**



3 in. Bow Roller
1/2 in. Shaft
Part ID: **86289**



3 in. End Bell
1/2 in. Shaft
Part ID: **86290**



4 in. Bow Roller Assembly
w/End Bells, 1/2 in. Shaft
Part ID: **86142**



4 in. Bow Roller
1/2 in. Shaft
Part ID: **86287**



4 in. End Bell
1/2 in. Shaft
Part ID: **86288**



4 in. Keel Roller - Spool
5/8 in. Shaft
Part ID: **86284**



5 in. Keel Roller - Spool
5/8 in. Shaft
Part ID: **86283**



5 in. Keel Roller - Center Guided
5/8 in. Shaft
Part ID: **86158**

AMBER PVC ROLLERS Continued



8 in. Keel Roller
5/8 in. Shaft
Part ID: **86159**



10 in. Keel Roller
5/8 in. Shaft
Part ID: **86169**



12 in. Keel Roller
5/8 in. Shaft
Part ID: **86199**



3.5 in. Keel End Cap
5/8 in. Shaft
Part ID: **86198**



3.5 in. x 15 in. Keel Pad
Part ID: **86291**



4 in. Wobble Roller - Ribbed
1-1/8 in. Shaft
Part ID: **86277**



5 in. Wobble Roller - Ribbed
1-1/8 in. Shaft
Part ID: **86568**



5 in. Wobble Roller Kit
7/8 in. & 1-1/8 in Shafts
Part ID: **86144**



3 in. V-Bow Stop
1/2 in. Shaft
Part ID: **86285**

ROLLERS

BLACK PVC ROLLERS

Exclusive to Tie Down, our Hull Sav'r PVC rollers, bow and keel accessories are made of a high-quality, poly-vinyl material that is cut and fade resistant. Ideal for a variety of boats and trailers, these products are designed to protect the boat from markings and absorb impact while withstanding both salt water and freshwater conditions. Backed with a lifetime guarantee and proudly made in the U.S.A.



3 in. Bow Roller Assembly
w/End Bells, 1/2 in. Shaft
Part ID: **86405**



3 in. Bow Roller
1/2 in. Shaft
Part ID: **86402**



3 in. End Bell
1/2 in. Shaft
Part ID: **86403**



4 in. Bow Roller Assembly
w/End Bells, 1/2 in. Shaft
Part ID: **86404**



4 in. Bow Roller
1/2 in. Shaft
Part ID: **86400**



4 in. Bow End Bell
1/2 in. Shaft
Part ID: **86401**



4 in. Keel Roller - Spool
5/8 in. Shaft
Part ID: **86406**



5 in. Keel Roller - Spool
5/8 in. Shaft
Part ID: **86408**



5 in. Keel Roller - Center Guided
5/8 in. Shaft
Part ID: **86407**

BLACK PVC ROLLERS Continued



8 in. Keel Roller
5/8 in. Shaft
Part ID: **86409**



10 in. Keel Roller
5/8 in. Shaft
Part ID: **86410**



12 in. Keel Roller
5/8 in. Shaft
Part ID: **86411**



3.5 in. End Cap
5/8 in. Shaft
Part ID: **86412**



Keel Pads
Part ID: **86418**



4 in. Wobble Roller - Smooth
3/4 in. Shaft
Part ID: **86428**



4 in. Wobble Roller - Ribbed
1-1/8 in. Shaft
Part ID: **86427**



5 in. Wobble Roller - Ribbed
7/8 in. or 1.15 in. Shaft
Part ID: **86429**



5" Wobble Roller Kit
7/8 in. & 1-1/8 in. Shafts
Part ID: **86419**



2 in. V-Bow Stop
3/8 in. Shaft
Part ID: **86420**



3 in. V-Bow Stop
1/2 in. Shaft
Part ID: **86413**



4 in. V-Bow Stop
1/2 in. Shaft
Part ID: **86421**

ROLLERS

RUBBER ROLLERS



3 in. Bow Roller
1/2 in. Shaft
Part ID: **86487**



4 in. Bow Roller
1/2 in. Shaft
Part ID: **86488**



4 in. Keel Roller - Spool
1/2 in. Shaft
Part ID: **86479**



4 in. Keel Roller - Spool
5/8 in. Shaft
Part ID: **86480**



5 in. Keel Roller - Spool
1/2 in. Shaft
Part ID: **86481**



5 in. Keel Roller - Spool
5/8 in. Shaft
Part ID: **86482**



5 in. Keel Roller - Center Guided
5/8 in. Shaft
Part ID: **86483**



8 in. Keel Roller
5/8 in. Shaft
Part ID: **86484**



10 in. Keel Roller
5/8 in. Shaft
Part ID: **86485**



12 in. Keel Roller
5/8 in. Shaft
Part ID: **86486**



3 in. End Cap
1/2 in. Shaft
Part ID: **86495**



3.5 in. End Cap
(use with 5/8 in. Keel Rollers)
5/8 in. Shaft, Part ID: **86496**

RUBBER ROLLERS Continued



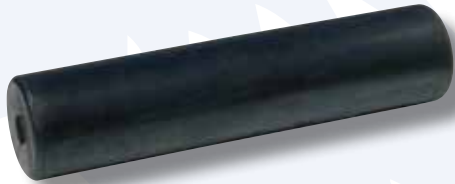
4 in. Wobble Roller - Smooth
3/4 in. Shaft
Part ID: **86492**



4 in. Wobble Roller - Ribbed
3/4 in. Shaft
Part ID: **86493**



5 in. Wobble Roller - Ribbed
1.15 in. Shaft
Part ID: **86494**



9 in. x 2 in. Side Guide Roller
1/2 in. Shaft
Part ID: **86475**



End Cap, 2 in. x 2 in.
1/2 in. Shaft (use with 86475)
Part ID: **86476**



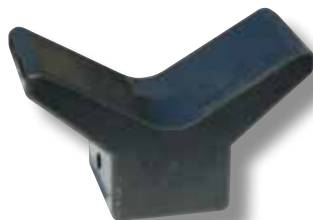
12 in. x 2.5 in. Side Guide
5/8 in. Shaft
Part ID: **86477**



End Cap, 2.5 in. x 1.5 in.
5/8 in. Shaft (use with 86477)
Part ID: **86478**



2 in. V-Bow Stop
3/8 in. Shaft
Part ID: **86489**



3 in. V-Bow Stop
1/2 in. Shaft
Part ID: **86490**



4 in. V-Bow Stop
1/2 in. Shaft
Part ID: **86491**

ROLLERS

PANEL BRACKET ASSEMBLIES

Brackets are one-piece assemblies which include keel roller, shaft and cap nuts. Rollers available in amber or black poly-vinyl material and black rubber. 11 gauge steel is hot dip galvanized for extra protection, specifically designed to use with keel rollers.

Part ID:	Description	Roller Size	Width Between Slots	Bracket Width
86279	Amber - Poly	5 in.	3 in.	5-3/8 in.
86414	Black - Poly	5 in.	3 in.	5-3/8 in.
86430	Black - Rubber	5 in.	3 in.	5-3/8 in.
86280	Amber - Poly	8 in.	6 in.	8-3/8 in.
86415	Black - Poly	8 in.	6 in.	8-3/8 in.
86431	Black - Rubber	8 in.	6 in.	8-3/8 in.
86281	Amber - Poly	10 in.	8 in.	10-3/8 in.
86416	Black - Poly	10 in.	8 in.	10-3/8 in.
86432	Black - Rubber	10 in.	8 in.	10-3/8 in.
86282	Amber - Poly	12 in.	10 in.	12-3/8 in.
86417	Black - Poly	12 in.	10 in.	12-3/8 in.
86433	Black - Rubber	12 in.	10 in.	12-3/8 in.



PANEL BRACKETS

Brackets are made of 11 gauge steel, specifically designed to use with keel rollers. Slots accept 7/16 in. or 1/2 in. diameter bolts and provide vertical roller adjustment. Roller shaft diameter can be 1/2 in. or 5/8 in. Hot dip galvanized for lasting protection.

Part ID:	Roller Size	Width Between Slots	Bracket Width
86150	4 in.	2 in.	4-3/8 in.
86151	5 in.	3 in.	5-3/8 in.
86152	8 in.	6 in.	8-3/8 in.
86155	10 in.	8 in.	10-3/8 in.
86153	12 in.	10 in.	12-3/8 in.



ROLLER ACCESSORIES

SPLIT PANEL BRACKETS

Designed to accommodate any size keel roller. Slots allow vertical adjustment for stabilizing the boat on a trailer. Brackets are hot dip galvanized for long lasting protection. Slots accept 7/16 in. or 1/2 in. bolts. Roller shaft diameter can be 1/2 in. or 5/8 in. **Sold in pairs** (left and right)

Packaged (Skin Pack) Part ID: **81235**
Bulk (Label Only) Part ID: **86140**



KEEL ROLLER BRACKET SET

Adjustable offset brackets mount on tongue for keel support. Assembly comes complete with 4 in. rubber roller (for 2 in. wide tongue) and hardware as shown. Hot dip galvanized for lasting protection.

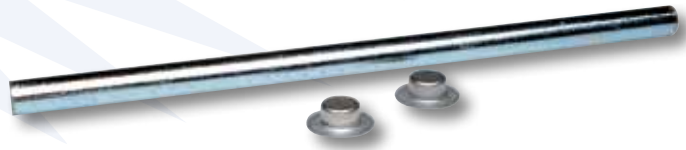
Keel Roller Assembly Kit (w/roller) Part ID: **86121**
Keel Roller Brackets Packaged (2 per pack) Part ID: **86122**
Keel Roller Brackets Bulk (2 per pack) Part ID: **86120**



ROLLER ACCESSORIES

ROLLER SHAFTS Zinc Plated

Diameter	Length	Packaged*	Bulk
		Part ID:	Part ID:
1/2 in.	4-1/4 in.	86024	---
1/2 in.	5-1/4 in.	86025	86035
1/2 in.	6-1/4 in.	86026	86036
5/8 in.	5-1/4 in.	86027	86037
5/8 in.	6-1/4 in.	86028	86038
5/8 in.	9-1/4 in.	86029	86039
5/8 in.	11-1/4 in.	86030	86040
5/8 in.	13-1/4 in.	86031	86041
5/8 in.	15-1/4 in.	86032	---
5/8 in.	19-1/4 in.	86033	---



* Packaged kit includes roller shaft and 2 cap nuts. Bulk includes roller shaft only.

ROLLER SHAFTS Galvanized

Diameter	Length	Packaged*
		Part ID:
1/2 in.	5-1/4 in.	86183
1/2 in.	6-1/4 in.	86184
5/8 in.	5-1/4 in.	86185
5/8 in.	6-1/4 in.	86186
5/8 in.	9-1/4 in.	86187
5/8 in.	11-1/4 in.	86188
5/8 in.	13-1/4 in.	86189



* Packaged kit includes roller shaft and 2 cap nuts.

ROLLER ACCESSORIES

CAP NUTS

Size	4-Pack	50/Box
1/2 in.	86305	86300
5/8 in.	86310	86301



WASHER AND HOG RINGS for Wobble Rollers

Replacement washers and hog rings for wobble roller bunk wheels. Packaged 2-pack for 1 roller assembly.

Washer and Hog Rings (2-Pack) Part ID: **86252**
 Hog Rings (only), Bulk 100 per box Part ID: **86258**



WOBBLE ROLLER BUNK BRACKET

Replacement brackets for wobble roller bunks. Includes 2 galvanized mounting brackets, bolt, nut, and 2 washers.

Part ID: **86552**



BUNK BOARDS

ROLLER BUNKS

Heavy duty galvanized steel frame provides full hull support. Roller bunks can be adjusted vertically with optional bolster support swivel brackets. **Bunk kits do not include mounting hardware.**

4 ft., Black Rubber Rollers	Part ID: 86117
4 ft., Amber Poly Rollers	Part ID: 86157
5 ft., Black Rubber Rollers	Part ID: 86118
5 ft., Amber Poly Rollers	Part ID: 86145

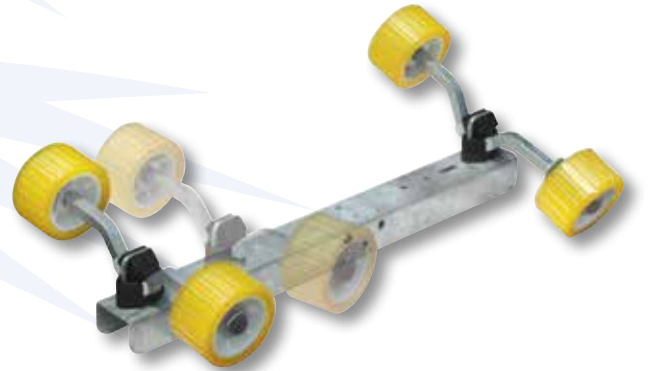
8" Bolster Swivel Brackets required for mounting.
(Part ID: **81210** - sold separately)



WOBBLE ROLLER BUNK ASSEMBLY

Heavy duty galvanized steel pivot bar provides full hull support. Wobble rollers are designed to pivot and adjust to a variety of hull shapes and sizes. The 36 in. bar includes 2 wobble roller arms. However, it can accommodate up to 4 roller arms. Kit includes one bunk pivot bar & 2 wobble roller assemblies, and mounting hardware.

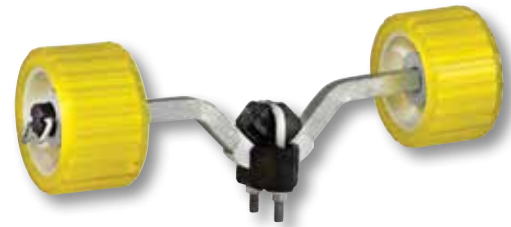
Part ID: **86550**



WOBBLE ROLLER ASSEMBLY Add on

Compatible with the Wobble Roller Bunk Assembly Kit (Part # 86550) or as a replacement. Comes fully assembled. **Mounting hardware to crossbar is not included.**

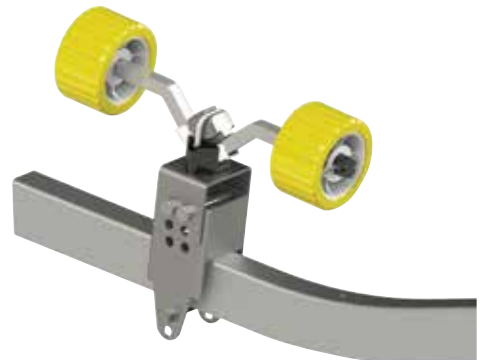
Part ID: **86551**



WOBBLE ROLLER FRONT ASSEMBLY

The front assembly is designed to mount only 1 wobble roller wing set. The design features 2 inches of height adjust-ability and can fit onto either 3x3 or 3x4 cross-members. The assembly comes with wobble rollers and hardware.

Part ID: **86574**



TIE DOWN BUNK BOARDS

CARPETED BUNK BOARDS

2x4 bunk boards come in three sizes, 3 ft., 4 ft., and 5 ft. lengths. Black, all-weather marine grade carpet provides a smooth surface for your boat to easily slide on or off. **Sold in pairs.**

3 ft. Part ID: **86127**

4 ft. Part ID: **86128**

5 ft. Part ID: **86129**



BUNK SLICKS

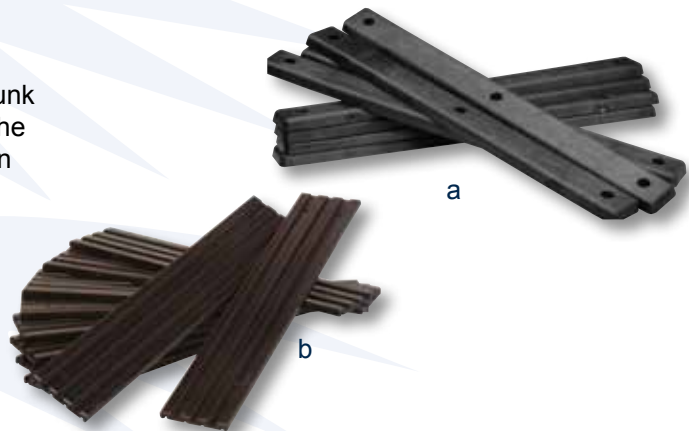
PVC molded Bunk Slicks bolt directly onto carpeted bunk boards. Works with any standard bunk board. Allows the boat to smoothly slide on and off the trailer. Available in two sizes. **86170 sold in packs of 8, 86164 sold in packs of 10.**

1-3/4 in. x 17 in. (a)

Part ID: **86170**

3 in. x 16in. (b)

Part ID: **86164**



MODULAR GLIDE ON'S

Self-centering bunk glide on's feature interlocking modular sections make loading and unloading your boat effortless. The kit is offered in white or black and designed to accommodate 2x6 bunk boards in a variety of lengths up to 16 ft. (or two 8 ft. boards). Includes four 3 ft. sections, four 1 ft. end sections and all mounting hardware.

Black Part ID: **86295**

White Part ID: **86296**



BUNK GLIDE ON'S

Self-centering bunk glide on's manufactured with Tie Down's enhanced poly vinyl material make launching and loading your boat easier. Fits 2x4 boards, each glide on is 4 ft. in length. **Sold in packs of 4 pieces.**

Black Part ID: **86173**

White Part ID: **86162**



BUNK BOARDS

BUNK CARPET

Replace worn, frayed bunks with this all-weather marine-grade carpet that will resist rot or mildew. Featured in black or gray, each standard 11 in. x 12 ft. carpet roll will wrap completely around 2x4 boards and around three sides of 2x6 bunk boards. Each bulk roll measures 11 in. wide x 150 ft. long.



11 in. x 12 ft., Black	Part ID: 86137
11 in. x 12 ft., Gray	Part ID: 86138
11 in. x 150 ft., Black	Part ID: 86306
11 in. x 150 ft., Gray	Part ID: 86307

BOLSTER BRACKETS

Designed to support bunk boards. Slotted for vertical adjustment and feature non-slip dimples to avoid movement and increase load capacity. Hot dip galvanized for lasting protection.



Size	Slot Length	2-Pack Part ID:	Bulk Part ID:
8 in.	2-3/4 in.	81195	86130
10 in.	2-3/4 in.	81200	86131
12 in.	2-3/4 in.	81250	86132

BOLSTER SWIVEL BRACKETS

Designed to support bunk boards. Slotted for vertical adjustment and feature non-slip dimples to avoid movement and increase load capacity. Hot dip galvanized for lasting protection. Packaging available in pairs including swivel brackets, bolts and nyloc nuts. Also available in bulk (one bracket only)



Size	Slot Length	2-Pack Part ID:	Bulk Part ID:
8 in.	2-3/4 in.	81210	81211
10 in.	2-3/4 in.	81215	81216
12 in.	2-3/4 in.	81220	81221

SWIVEL BRACKETS

2 - Pack includes 1/2 in. x 1 in. bolt and two nyloc nuts. Part ID: **86160**

Bulk (one bracket only) Part ID: **86115**



TIED DOWN BUNK BOARDS

BUNK BRACKETS

11 gauge steel brackets mount 2" bunks on edge. Slotted for vertical adjustment to standard or deep-V hulls. Hot dip galvanized for extra protection. Available in bulk (one bracket only).

Size	Slot Length	2-Pack Part ID:	Bulk Part ID:
8 in.	4-1/2 in.	NA	86149
9-1/2 in.	6 in.	81225	86125
12-5/8 in.	9-1/8 in.	81230	86126



PWC BUNK BRACKETS

The innovative design of this light duty bolster bracket allows for bunk angle adjustment without the use of a swivel bracket. Great for use on PWC and skiff trailers. Made from 11 ga. steel.

Sold in pairs (L & R).

Part ID: **86564**



VERTICAL BUNK BRACKETS

Ideal for aluminum trailers, vertical bunk brackets are made of 1/4 in. steel and hot dip galvanized for long lasting protection. Each bracket is 5 in. wide.

5 in. wide x 8 in. tall Part ID: **86562**

5 in. wide x 10 in. tall Part ID: **86563**



PONTOON BUNK BRACKETS

These pontoon bunk brackets are precisely designed to give ultimate support for your boat. Manufactured from 11 gauge steel and hot dip galvanized for long lasting protection.

8.38 in. wide bottom x 15.68 in. wide top x 4.70 in. tall (shown)

Part ID: **86559**

8.38 in. wide bottom x 15.68 in. wide top x 6.19 in. tall

Part ID: **86560**

13.13 in. wide bottom x 15.4 in. wide top x 6.07 in. tall

Part ID: **86561**

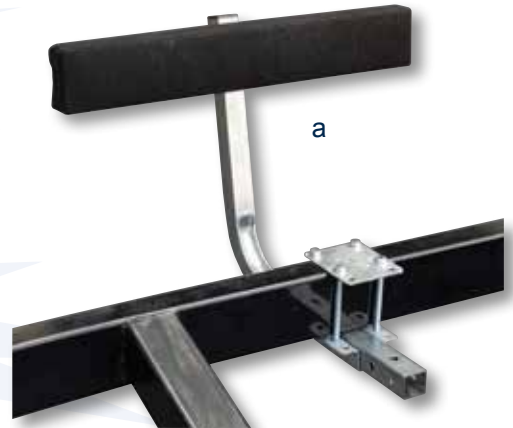


GUIDE ON'S

BUNK BOARD GUIDE ON'S

The 2x4 black carpeted bunk boards are offered in 24" or 60" lengths. Posts can be mounted 5-11" on the side of the frame. If mounted above the frame, bunk placement is 19" high. U-bolts and nuts are zinc plated, and mounting hardware is galvanized for corrosion protection. Kit fits frames 2-3" wide and up to 4" high. **Sold in pairs** with all mounting hardware included.

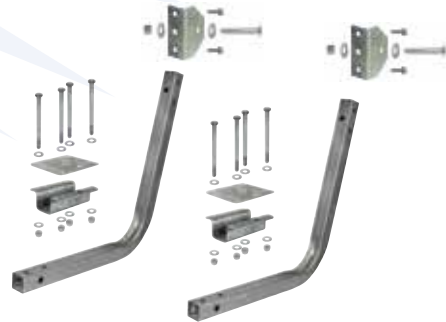
24" Bunk Board Kit Guide On Kit (a) Part ID: **86123**
60" Bunk Board Guide On Kit (b) Part ID: **86124**



BUNK BOARD GUIDE ON POST HARDWARE KIT

Designed to mount longer bunk board guides, such as tandem and triple-axle trailers. Kit includes 4 mounting posts and hardware only. Carpeted bunks not included.

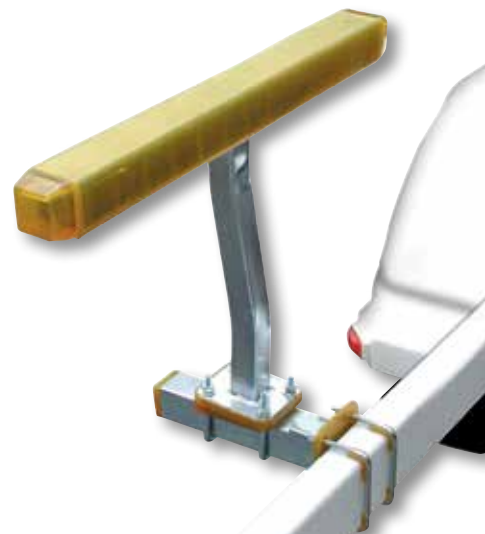
Part ID: **86340**



PREMIUM SIDE GUIDE ON'S

Guide your boat on safely in high winds or strong currents with the 24" Premium Boat Guides. The soft poly-vinyl cover is designed to absorb the impact of the hull and protect your boat from scratches and dings as well as the trailer's finish. **Sold in pairs** with all hardware included. Universal fit for 3" and 4" trailer frame sizes.

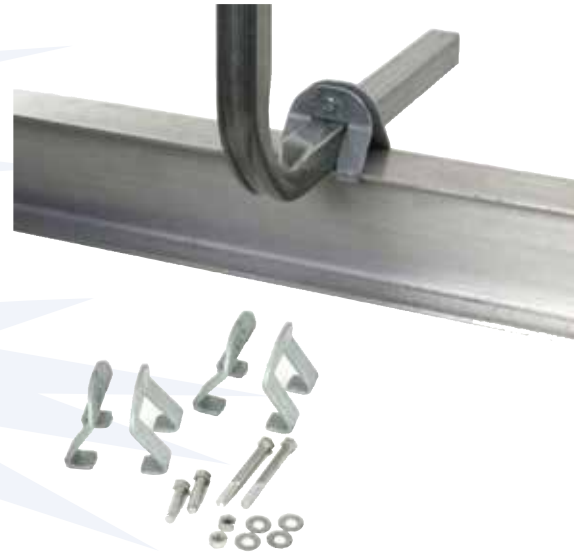
Part ID: **86148**



I-BEAM MOUNTING KIT - GUIDE POSTS

The I-beam mounting kit allows you 1-1/2 in. square guide tube to securely mount onto any steel or aluminum I-beam trailer frame. The kit includes 4 brackets, 2 smaller 3/8 in. bolts and 2 3/8 in. bolts depending of frame rail width. Brackets are galvanized, hardware in zinc plated

Part ID: **86569**



PVC POST GUIDE ON Heavy Duty

PVC guide on posts feature bright orange end caps providing visual markers to help launch and load your boat safely. Posts are available in 48" and 60" lengths as well as 90 degree or a slant 13 degree angle. The 13 degree slant guide posts give a wider target when loading your boat, while 90 degree straight guides are used for narrower trailers and boats. The non-marking PVC pipe is braced with metal tubing 15 in. into the pipe, adding strength and impact resistance. Posts equipped with LED lights offer additional visibility. All hardware included. Bolts and nuts are zinc plated, and mounting brackets are galvanized for lasting protection against corrosion. **Sold in pairs.**

Straight 90 Degree

48 in. Post	Part ID: 86342
60 in. Post	Part ID: 86344
48 in. Post w/LED Lights	Part ID: 86346
60 in. Post w/LED Lights	Part ID: 86348

Slant 13 Degree

48 in. Post	Part ID: 86103
60 in. Post	Part ID: 86119
48 in. Post w/LED Lights	Part ID: 86441
60 in. Post w/LED Lights	Part ID: 86440



GUIDE ON'S

ADJUSTABLE PVC GUIDE ON

Adapts to most tube and channel trailer frames. Galvanized for long lasting protection and include heavy-duty steel component parts. Bright orange end caps on these PVC guides provide a visible target when loading your boat. Boat guide on's are 48" high with up to 16" of side adjustment. **Sold in pairs** with hardware included.

Part ID: **86105**



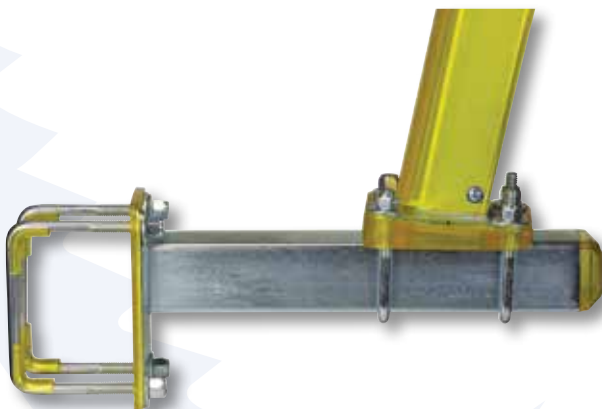
PREMIUM POLYMER GUIDE ON'S

Drive on your boat safely in high winds or strong currents. Our premium polymer boat guides are designed to absorb impact of the hull and protect the trailer's finish. Poly-vinyl protector pads eliminate metal to metal contact and prevent rust. Steel components are zinc plated and are a universal fit for 3" and 4" trailer frame sizes. Soft poly-vinyl post is 22" high. Non-marking white PVC post option also available in 48" and 60" lengths. **Sold in pairs** with hardware included.

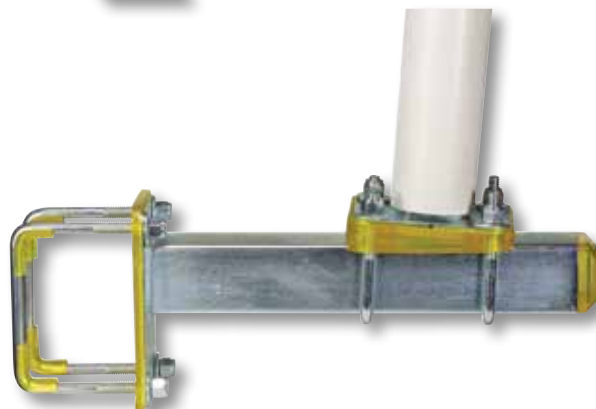
22 in. Soft Poly Vinyl Part ID: **86104**
48 in. PVC Post Part ID: **86200**
60 in. PVC Post Part ID: **86201**



22 in. Soft Poly-vinyl
(Shown left)
Part ID: **86104**



22 in. Soft Poly Vinyl (Shown above)
Part ID: **86104**

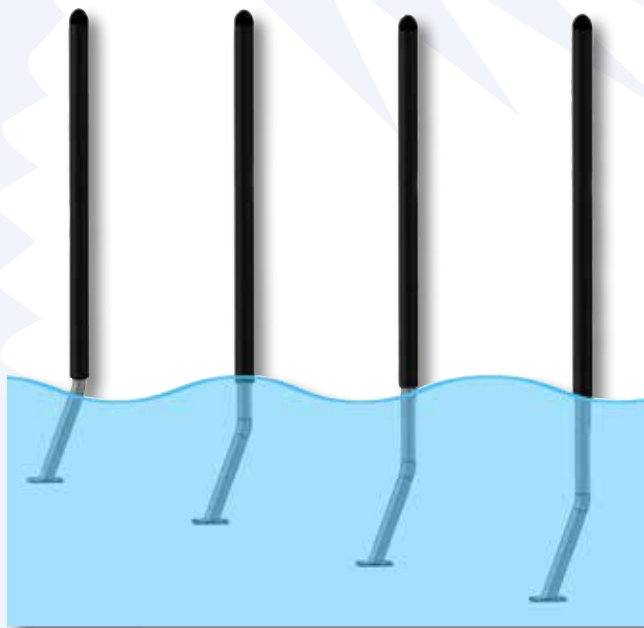
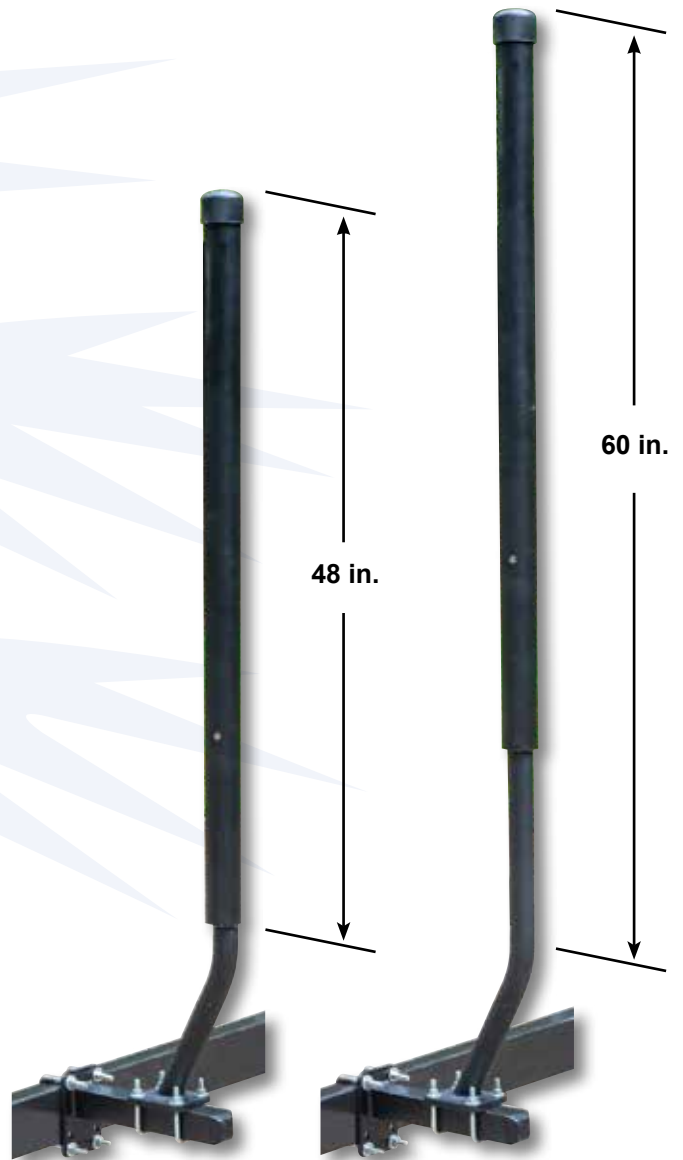


48/60 in. PVC Post (Shown above)
Part ID: **86200/86201**

FLOATING GUIDE POST, 48-60 IN.

The Floating Guide Post features the ability to adjust the overall height from 48 to 60 in. The user can choose to notch the post at a specific height or set on floatable mode and allow the waterline to naturally and automatically adjust the overall height as it enters/exits the water. This allows the post to always remain above the waterline and function regardless of the boat ramp inclination. The metal tube is made from heavy-duty 14 gauge steel, pre-galvanized, and powder coated for a durable finish. It features a 30 degree slant through the bottom 18 in. to allow for varying hull shapes. The PVC pipe in non-marring, black or white in color and designed to hide the floating slot and holes for a clean look.

Black Part ID: **86568**
White Part ID: **86576**



Width can adjust 8 in.

Mounting bracket fits 3 & 4 in.
tall frame rails



GUIDE ON'S

FIXED ANGLE ROLLER GUIDE ON'S

Mount these 13 in. rubber rollers on top or beneath the frame for precise placement. The galvanized guide-mount adjusts for widths up to 13 in. on each side and fit frames 2 - 4 in. high. Hardware included. **Sold in pairs.**

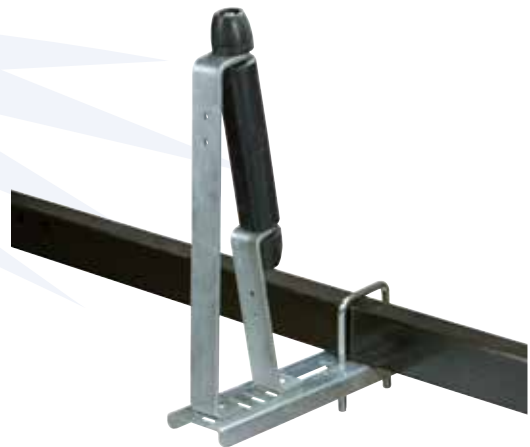
Part ID: **86102**



ADJUSTABLE ROLLER SIDE GUIDE ON'S

Roller guide provides up to 16 in. of adjustment (8 in. on each side) to fit the specific angle of your hull. Includes hot dip galvanized steel components with a one-piece adjustable clamp and U-bolt. Fits all channel and tube frames up to 5 in.

Part ID: **86106**



LIGHT BRACKET KIT

Part ID: **86107**

LOW RIDER GUIDE ON'S

Ideal for Jon boats, bass boats and personal watercraft while providing the strength of traditional guide on's. The guide posts are made of 1-1/2" square, 16 gauge steel tubing and galvanized for long lasting protection. Guide covers are made from high impact non-marking molded PVC. Mounts to trailer cross members 2 in. wide and 2 - 4 in. high. All mounting hardware included.

Part ID: **86466**



PONTOON GUIDE ON'S

Bright orange end caps on these PVC guides provide a bright, visible target when loading your pontoon boat. The guide posts are designed to be mounted between the pontoons. Made of 1-1/2 in. square, 16 gauge steel galvanized tubing and covered with 2 in. x 20 in. non-marking white PVC pipe. Guide posts extend fully into the PVC tube for additional strength. Mounts to trailer cross members 2 in. wide and 2-4 in. high. All mounting hardware included.

Sold in pairs.

Part ID: **86465**



FLOATING PONTOON GUIDE ON'S

Designed for submerged trailers, the PVC guide automatically rises upward adding an additional 12 in. visibility, for a total adjustable viewing height of 24 in.- 36 in. Bright orange end caps on these PVC posts provide a clear target when loading your pontoon boat. The guide posts are designed to be mounted between the pontoons. Made of 1-1/2 in. square, 16 gauge steel galvanized tubing and covered by 2 in. x 20 in. PVC pipe. Guide posts extend fully into the PVC tube for additional strength. Mounts to trailer cross members 2 in. wide by 2 in., 3 in. or 4 in. high. All mounting hardware included.

Sold in pairs.

Part ID: **86468**



HIGH IMPACT PONTOON GUIDE ON'S

Guide your pontoon boat safely onto the trailer in high winds and strong currents with these high-impact guide on's. The hot dip galvanized steel 2-1/2 in. square-tube posts are covered with non-marking molded PVC material and designed to be mounted between the pontoons. Mounts to trailer cross members 2 in. wide by 2-3 in. high. All mounting hardware included. **Sold in pairs.**

Part #**86467**

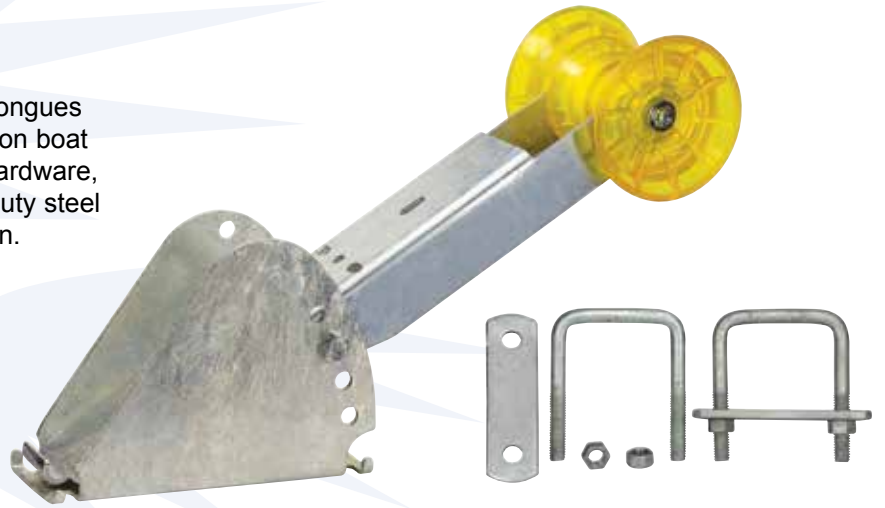


WINCH STANDS

ADJUSTABLE PWC WINCH STAND

This adjustable winch stand fits 2-3 in. wide tongues and is designed for personal watercraft and Jon boat trailers. Each kit includes u-bolts, mounting hardware, amber poly bow roller and end bells. Heavy duty steel is hot dip galvanized for long lasting protection.

Part ID: **86557**



ADJUSTABLE BOW STAND/WINCH STAND

The heavy duty adjustable bow/winch stand is designed to fit 3" wide tongues and is galvanized for long lasting protection. The combination bow stand and winch mount includes galvanized u-bolts, washers, and nuts to allow for easy adjustability up or down to accommodate many boat sizes. The kit also includes a Tie Down 4 in. amber bow roller, a black vinyl top cap, and is made of heavy duty 11 gauge 2x4 in. steel extending 30" high.

Part ID: **86558**



GALVANIZED METAL FENDERS

Stamped fenders are made from 16 gauge galvanized steel. Fenders can be drilled to fit a variety of mounting options.

Mounting brackets not included.

Wheel Size	Dimensions (W x L x H)	Part ID:
8 in.	7 in. x 20 in. x 6 in.	86264
12 in.	7 in. x 23.5 in. x 6.5 in.	86265
13 in.	8 in. x 27.5 in. x 11 in.	86266
14-15 in.	9 in. x 31.5 in. x 13 in.	86267

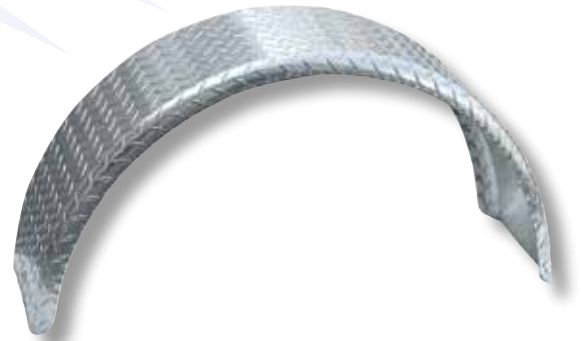


TREAD ALUMINUM FENDERS

Stamped fenders are made from 12 gauge/ .08" aluminum. Fenders can be drilled to fit a variety of mounting options.

Mounting brackets not included.

Wheel Size	Dimensions (W x L x H)	Part ID:
13 in.-15 in.	8 in. x 31.5 in. x 13.125 in.	44837
13 in.-15 in.	9 in. x 33.75 in. x 14.875 in.	44836



FENDERS

ADJUSTABLE FENDER Tandem Regular

The adjustable tandem fender is made with .080 Aluminum Treadbrite for stability. This metal fender can adjust between 60-72 inches in length to accommodate almost all dual-axle trailer sizes and configurations. Width is 9" and height is 16". The kit is boxed and easily shipped.

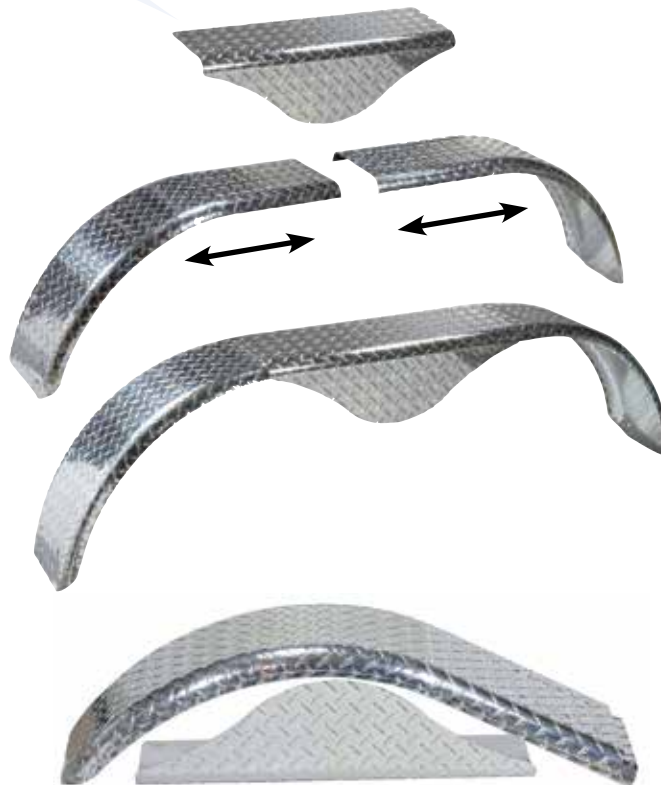
Part ID: **86268**



ADJUSTABLE FENDER Tandem Teardrop

The adjustable tandem fender is made with .080 Aluminum Treadbrite for stability. This metal fender can adjust between 60-72 inches in length to accommodate almost all dual-axle trailer sizes and configurations. Width is 9", height is 16", and features a teardrop design. The kit is boxed and easily shipped.

Part ID: **86269**



PLASTIC FENDERS Small

Upgrade your trailer with these high impact polyethylene fenders. Plastic fenders are UV protected. Designed for normal and low profile tires. Small fenders have “no load” capacity and fit 8” to 12” wheels.

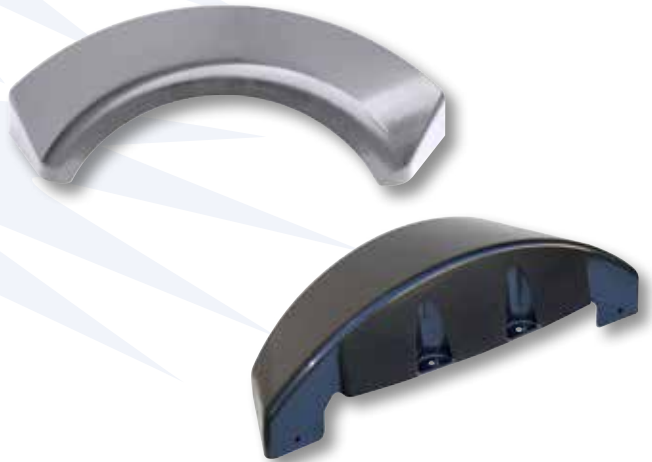
Description	Dimensions (W x L x H)	Part ID:
Small White Plastic Fender	7-3/4” x 21” x 5”	17026
Small Black Plastic Fender	7-3/4” x 21” x 5”	17033



BRACKET-LESS PLASTIC FENDER

The “bracket-less” fender. High impact plastic fender designed to mount directly to your frame without using fender brackets. Fender position is easily changed and designed for wheels up to 12”. Available in black or silver.

Silver	Part ID: 86556
Black	Part ID: 86555



PLASTIC FENDERS

Upgrade your trailer with these high impact polyethylene fenders. Plastic fenders are UV protected. Large fenders have 200# capacity and fit 13”, 14”, and 15” wheels on single or multiple axle setups.

Description	Dimensions (W x L x H)	Part ID:
Large White Fender	11-3/8 in. x 45 in. x 11 in.	44332
Large Black Fender	11-3/8 in. x 45 in. x 11 in.	44331



FENDERS

PLASTIC FENDERS “SUV” Single

The “SUV” style fenders are corrosion proof and impact resistant. Tie Down’s injection molding process assures consistent quality of shape and finish. The modular design accommodates for 14-15 in. tires and wheels. Each kit contains necessary mounting hardware.

Part ID: **86553**



PLASTIC FENDERS “SUV” Tandem

The dual axle configuration utilizes individually molded front and rear fenders that are designed to bolt together without modifications. The result is a clean custom fender design. The modular design accommodates for 14-15 in. tires and wheels. Each kit contains necessary mounting hardware.

Part ID: **86554**

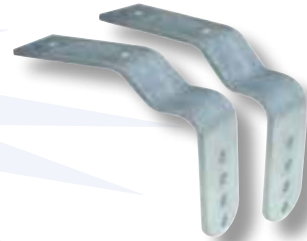


FENDER BRACKETS Offset Mount

Galvanized metal fenders brackets accommodate 8-12 in. fenders and are available in flush-mount and offset mount style.

Offset Brackets, for 8 in. and 12 in. metal fenders (pair)

Part ID: **86260**



Flush Brackets, for 8 in. and 12 in. metal fenders (pair)

Part ID: **86262**



Flush Brackets, for 17026 and 17033 plastic fenders (pair)

Part ID: **81231**



Step Brackets, for large plastic fenders. 1 per - bulk

Part ID: **44141**



Step Brackets, for 14 in.-15 in. metal fenders. 1 per - bulk

Part ID: **44135**



U-BOLTS

U-BOLT KITS



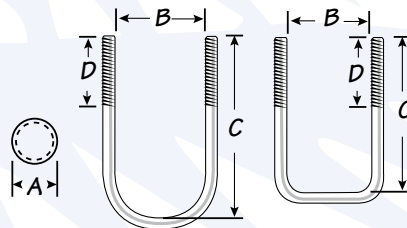
Zinc Plated

Used for mounting brackets to trailer frame.
Zinc plated to help prevent rusting.
Includes flat washers and nyloc nuts.



Galvanized

Used for mounting brackets to trailer frame. Hot dip galvanized coating to help prevent rust build up.
Includes flat washers, lock washers and nuts.



How to measure for U-Bolts:

- A** = Rod Width - Threads Per Inch
- B** = Between Leg Length (inside thread)
- C** = Leg Length
- D** = Thread Length

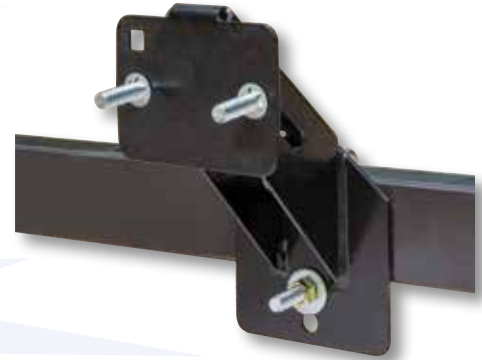
A	B	C	D	Shape	Zinc Part ID:	Galvanized Part ID:
7/16 in.-14	1-9/16 in.	3-9/16 in.	2 in.	Square	86212 (Each)	86220 (Each)
7/16 in.-14	2-1/16 in.	2-5/16 in.	1 in.	Square	86228 (Each)	~~~~~
7/16 in.-14	2-1/16 in.	4-5/16 in.	2 in.	Square	86229 (Each)	~~~~~
7/16 in.-14	3-1/16 in.	3-5/16 in.	1-3/4 in.	Square	86230 (Each)	~~~~~
7/16 in.-14	3-1/16 in.	4-5/16 in.	2 in.	Square	86231 (Each)	~~~~~
7/16 in.-14	4-1/16 in.	2-13/16 in.	1-3/4 in.	Square	86234 (Each)	~~~~~
3/8 in.-16	1-3/4 in.	4-13/16 in.	1-3/4 in.	Round	86216 (Each)	86224 (Each)
3/8 in.-16	1-5/8 in.	3-9/16 in.	1-3/4 in.	Square	86219 (Each)	86227 (Each)
3/8 in.-16	2-1/8 in.	4 in.	1-3/4 in.	Square	86208 (Pair)	~~~~~
3/8 in.-16	3-1/8 in.	3 in.	1-3/4 in.	Square	86209 (Pair)	~~~~~
3/8 in.-16	3-1/8 in.	4 in.	1-3/4 in.	Square	86210 (Pair)	~~~~~
3/8 in.-16	4-1/8 in.	3 in.	1-3/4 in.	Square	86211 (Pair)	~~~~~
1/2 in.-13	1-9/16 in.	4-1/16 in.	2 in.	Square	86213 (Each)	86221 (Each)
1/2 in.-13	2-1/16 in.	4-13/16 in.	2 in.	Square	86215 (Each)	86223 (Each)
1/2 in.-13	2-1/8 in.	4 in.	2 in.	Square	86204 (Pair)	~~~~~
1/2 in.-13	2-3/8 in.	5-3/8 in.	2 in.	Round	86217 (Each)	86225 (Each)
1/2 in.-13	3-1/16 in.	3-13/16 in.	1-1/2 in.	Square	86214 (Each)	86222 (Each)
1/2 in.-13	3-1/16 in.	6-11/16 in.	2 in.	Round	86218 (Each)	86226 (Each)
1/2 in.-13	3-1/8 in.	3 in.	1-1/2 in.	Square	86205 (Pair)	~~~~~
1/2 in.-13	3-1/8 in.	4 in.	2 in.	Square	86206 (Pair)	~~~~~
1/2 in.-13	4-1/8 in.	3 in.	2 in.	Square	86207 (Pair)	~~~~~
1/2 in.-13	3-1/16 in.	4-5/16 in.	2 in.	Square	86328 (Pair)	~~~~~
1/2 in.-13	3-1/16 in.	5-5/16 in.	1-3/4 in.	Square	86329 (Pair)	~~~~~
1/2 in.-13	3-1/16 in.	6-5/16 in.	2 in.	Square	86330 (Pair)	~~~~~

SPARE TIRE CARRIERS

SIDE MOUNT TIRE CARRIER

Adjustable bolt circle fits both 4 and 5 lug wheels. Fits all trailer tongues up to 3 in. wide by 4 in. high. Extra heavy duty welded steel construction. Carriage bolts and lug nuts to mount tire to carrier are included. US Patent #6,116,483.

Galvanized Part ID: **86098**
Zinc Plated Part ID: **86099**
Black Powder Coat Part ID: **86100**



HIGH MOUNT TIRE CARRIER

Accommodates 4, 5 and 6 lug wheels. Hot dip galvanized for lasting protection. Fits all trailer frames up to 3 in. wide by 4 in. high. Made of heavy duty steel tubing. Carriage bolts and lug nuts to mount tire to carrier are included.

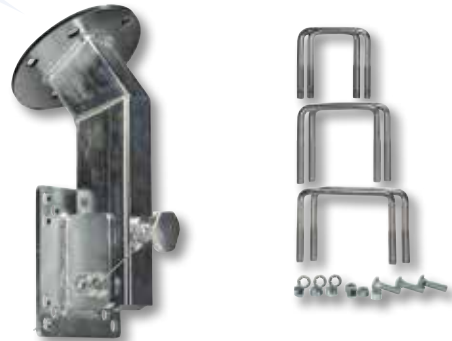
Part ID: **86101**



ANGLED/PIVOTING SPARE TIRE CARRIER

Angled spare tire carrier allows spare tire to fit at an angle under bow of boat. Adjustable to fit 4, 5 and 6 lug wheels. Unique pivoting feature allows tire to swing down to allow easy loading or removal of spare. Kit includes three sets of U-bolts to fit trailers with frame tube heights of 3 in., 4 in. and 5 in.

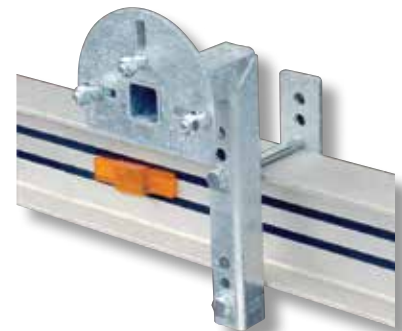
Zinc Plated Part ID: **86062**



HEAVY DUTY SPARE TIRE CARRIER

Designed for use with large tube, I-beam and aluminum trailers. Heavy duty steel carrier mounts larger spare tires. Bolts can be positioned to accommodate 4, 5, 6 and 8 lug wheels. Fits frames from 5 in. to 8 in. in height. Hot dip galvanized for lasting protection. Frame bracket, lug nuts and bolts included. The following mounting hardware is not included: Grade 5 hex head bolts (bolt length determined by frame width), nyloc nuts and washers.

Part ID: **86060**



SPARE TIRE CARRIERS

SPARE TIRE CARRIER

Adjustable to fit 4, 5 and 6 lug wheels. Fits all trailer frames up to 8 in. high. Heavy duty welded steel construction. Hot dip galvanized for lasting protection. Carriage bolts and lug nuts to mount tire to carrier are included.

Part ID: **86069**



SPARE TIRE CARRIER FOR ALUMINUM TRAILERS

Designed for use with most aluminum (I-beam) trailers. Adjustable to fit both 4 and 5 lug wheels. Four 9/16 in. holes must be drilled into trailer frame. Hot dip galvanized for lasting protection. Carriage bolts and lug nuts to mount tire to carrier are included.

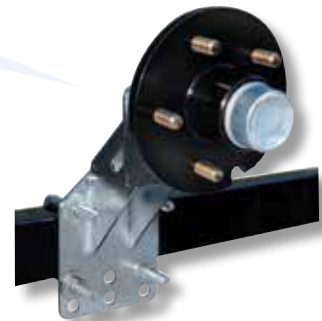
Part ID: **86064**



SPARE HUB & TIRE CARRIER

Includes 5 stud pre-greased hub with bearings. Heavy duty zinc plated steel carrier mounts both spare hub and spare tire. Designed for 1,750 lb. hub with 1-1/16 in. and 1-3/8 in. bearings. Fits all trailer frames up to 3 in. wide and 4 in. high. Security holes for optional cable and lock.

Part ID: **86079**



SPARE TIRE CARRIER WITH ELIMINATOR REMOVABLE SPINDLE/HUB

Includes 5 stud pre-greased hub. Heavy duty steel carrier mounts spare hub/torsion spindle and spare tire. Hot dip galvanized for lasting protection. Designed for use with Eliminator Torsion Axles. 1,750 lb. hub with 1-1/16 in. and 1-3/8 in. bearings. Fits all trailer frames up to 5 in. high.

Part ID: **86068**



U-BOLT SPARE TIRE CARRIER

U-bolt 7/16 in. design, accommodates 4 and 5 lug wheels. Fits 8 in. thru 14 in. tires and most 15 in., 3 in. thread length - OAL 8-3/4 in. Zinc plated for lasting protection. Fits all trailer frames up to 3 in. wide.

U-bolt Tire Carrier with Brackets

Part ID: **86092**

U-bolt Tire Carrier without Brackets

Part ID: **86091**



SWING TONGUES

SWINGKING™

Tie Down's SwingKing™ bolt-on swing tongue kit converts a normal tongue into a swing tongue, perfect for those needing extra space when storing a trailer.

- Available in 3x3, 3x4, and 3x5 tongue configurations.
- Available in black powder coat or hot-dip galvanized.
- Pivot hardware included: pull pin with lanyard, bolt, nut and washers.

SwingKing™ Kits

Part ID:	Size	Finish
86510	3x3	Galvanized Kit
86511	3x3	Black PC Kit
86512	3x4	Galvanized Kit
86513	3x4	Black PC Kit
86514	3x5	Galvanized Kit
86515	3x5	Black PC Kit



CABLES & STRAP

HITCH CABLES

Replace your noisy chains with self-coiling hitch cables from Tie Down. Available un-coated or vinyl coated. Both use durable galvanized aircraft cable construction. Hitch cables exceed SAE J684 standards for trailer coupling and automotive type hitches. Each pair extends 36 in. in length. Cables with S-hooks are packaged for great looking displays!



Class	Capacity	Description	Part ID:
1	2,000 lbs.	Black Vinyl Jacketed, w/wire safety latch	59533
2	3,500 lbs.	Galvanized w/wire safety latch	59535
2	3,500 lbs.	Black Vinyl Jacketed w/wire safety latch	59537
3	5,000 lbs.	Galvanized w/wire safety latch	59539
3	5,000 lbs.	Black Vinyl Jacketed w/wire safety latch	59541
4	7,000 lbs.	Galvanized w/wire safety latch	59543
4	7,000 lbs.	Black Vinyl Jacketed, w/wire safety latch	59545
4	7,000 lbs.	Black Vinyl Jacketed w/ Safety Latch Hook	59548

WINCH STRAPS

Winch straps are 2 in. wide and have an overall tensile strength of 5,000 lbs. Each strap comes with a heavy duty forged latch hook.

1 per package.

2 in. x 15 ft.	Part ID: 50465
2 in. x 20 ft.(a)	Part ID: 50470
2 in. x 20 ft. w/tail (b)	Part ID: 50472
2 in. x 25 ft.	Part ID: 50475
2 in. x 15 ft. w/PWC Strap (c)	Part ID: 50460



WINCH CABLES

Galvanized steel 7x19 aircraft cable. Cables are fitted with a heavy duty electro galvanized latch hook, pull proof loop, and a fastener end for replacement. Use on POWER WINCH, DL, SUPERWINCH and other quality power winches.

Cable Size	Capacity	Replaces/Model	Part ID:
5/32 in. x 25 ft.	2,800 lbs.		59378
3/16 in. x 20 ft.	4,200 lbs.		59379
1/8 in. x 20 ft.	2,000 lbs.	312	59380
3/16 in. x 25 ft.	4,200 lbs.	712	59385
3/16 in. x 50 ft.	4,200 lbs.	712A	59390
7/32 in. x 25 ft.	5,600 lbs.	912A, 912C	59395
7/32 in. x 50 ft.	5,600 lbs.	VS190, VR212	59400



QUICK LINKS

Zinc plated quick links are ideal for use with trailer chains.
1 per pack.

5/16 in. Part ID: **50648**
3/8 in. Part ID: **50649**



HOOKS

Replace your worn out hook with a new zinc plated forged latch hook. **1 per pack.**

XBC55, 7,000# Part ID: **50640**
XEAEY, 12,000# Part ID: **50641**



“S” HOOK CHAIN KEEPERS

These patented safety chain keepers attach easily to the “S” hooks to keep your chains secured to the vehicle. Required in some states.
2 per pack.

Part ID: **81255**



SAFETY CHAINS

Zinc plated trailer safety chains are packed in pairs with S-Hooks.

Class 2, 3/16 in., OAL 31 in. Part ID: **81202**
Class 3, 1/4 in., OAL 31 in. Part ID: **81203**
Class 4, 5/16 in., OAL 40-3/4 in. Part ID: **81204**
Class 2, 3/16 in., OAL 36 in.
(single chain with S-hooks both ends) Part ID: **81205**



BOW SAFETY CHAINS

Tie Down's bow safety chain connects the boat to the bow stand of the trailer. Packed one per pack. 3/16 in. (OAL 15-1/2 in.). **1 per pack.**

Part ID: **81201**



ACCESSORIES

FRAME TIE DOWN BRACKET

The 4 in. frame tie down bracket is used with ratchet straps. Each bracket is made from heavy duty 7 gauge steel and is hot dip galvanized for long lasting protection.

Part ID: **86567**



FLUTED SHACKLE BOLTS

For use with spring hanger brackets. Fluting prevents the bolt from turning, which can cause wear to the hanger brackets. Zinc plated Grade 5 steel. 9/16 in. x 3 in. bolts with nuts. **2 per pack.**

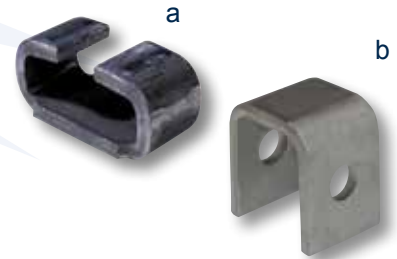
Part ID: **86250**



SPRING HANGERS

Spring hangers are solid steel. Rear hangers are used on slipper springs 1-3/4 in. to 2 in. wide, 5,200 lbs. - 8,000 lbs. capacity for medium duty axles, 1/4 in. stock. Front spring hangers are used on slipper and double eye springs that are mounted on 1,000 lbs. - 3,500 lbs. capacity, medium duty axles. Pre-drilled for 9/16" bolt. Raw unfinished steel. **1 per pack.**

Rear Spring Hanger (a) Part ID: **86275**
Front Spring Hanger (b) Part ID: **86274**



HEX HEAD BOLTS

Use for mounting brackets, couplers, and winch stands. Zinc plated Grade 5 steel. Package contains 4 bolts, washers and nyloc nuts.

3/8 in. x 3 in. Part ID: **86253**
3/8 in. x 4 in. Part ID: **86254**
3/8 in. x 1 in. Part ID: **86255**
7/16 in. x 1 in. Part ID: **86256**
1/2 in. x 3-1/2 in. Part ID: **86257**



UNIVERSAL TAIL LIGHT BRACKET

The universal tail light bracket is made from heavy duty 7 gauge steel and is hot dip galvanized for long lasting protection. **1 per pack.**

Part ID: **86566**



LICENSE PLATE MOUNTING BRACKET

License plate bracket is made of heavy duty aluminum tread brite material. Multiple hole placement provides universal mounting options. **1 per pack.**

Part ID: **86565**



TAIL LIGHT PROTECTOR - ALUMINUM TREAD BRITE

The Tail Light Protector is designed to provide additional protection for your tail light. There is not hardware required for installation, the Protector is designed to mount between your existing tail light bracket and the light..

Part ID: **86573**



SNOWMOBILE TIE DOWN BAR

The Snowmobile Tie Down Bar is designed to fit over the skis to secure them to the trailer. The bar is manufactured using high quality aluminum, is powder coated silver, and includes blue vinyl sleeves for added protection. The Crank shaft diameter is $\frac{1}{2}$ " and is designed to securely tighten to the mounting plate which includes a $\frac{1}{2}$ " rivet nut. Crank and mounting plate are zinc coated.

Single, Boxed
Pair, Boxed

Part ID: **86577**
Part ID: **86578**



DANFORTH® ANCHORS

The **Danforth® Standard®** remains the industry leader in efficiency, offering exceptional holding power for its weight. Manufactured with high strength steel and hot dip galvanized for long lasting protection. The ultimate **Danforth® Hi-Tensile®** anchor line is the toughest, most durable anchors fabricated for additional strength and beveled to allow quick deep bottom penetration. Each shank is made from 4130 steel, heat treated for extra strength and hot dip galvanized for long lasting protection.



DANFORTH® STANDARD®

Part ID:	Model	Holding Power	Boat Length	Anchor Weight	Anchor Height	Anchor Width	Fluke Height
94010	S160	160 lbs.	< 10 ft.	3.5 lbs.	17-1/4 in.	13 in.	9 in.
94011	S300	300 lbs.	10-17 ft.	5 lbs.	19-1/2 in.	14-3/4 in.	10-1/2 in.
94012	S600	600 lbs.	17-27 ft.	9 lbs.	24 in.	18-1/4 in.	12 in.
94013	S920	920 lbs.	27-31 ft.	14 lbs.	28-1/4 in.	21-1/2 in.	14-1/4 in.
94014	S1300	1,300 lbs.	31-36 ft.	16 lbs.	31-3/4 in.	24 in.	16-1/2 in.
94015	S1600	1,600 lbs.	36-40 ft.	25 lbs.	35 in.	26-3/4 in.	19 in.
94016	S2000	2,000 lbs.	40-45 ft.	43 lbs.	40-1/4 in.	31 in.	22 in.
94017	S3000	3,000 lbs.	45-55 ft.	70 lbs.	50 in.	38 in.	26-1/2 in.
94018	S3500	3,500 lbs.	55-60 ft.	100 lbs.	54 in.	41 in.	28-3/4 in.

DANFORTH® HI-TENSILE®

Part ID:	Model	Holding Power	Boat Length	Anchor Weight	Anchor Height	Anchor Width	Fluke Height
94019	5H	1,000 lbs.	< 31 ft.	5 lbs.	21-1/2 in.	16-1/2 in.	11-3/4 in.
94020	12H	1,800 lbs.	31-42 ft.	12 lbs.	28-1/4 in.	21-1/2 in.	13-1/2 in.
94021	20H	2,500 lbs.	42-50 ft.	20 lbs.	35 in.	26-3/4 in.	19 in.
94022	35H	3,800 lbs.	50-64 ft.	35 lbs.	40-3/4 in.	31 in.	22 in.
94023	60H	5,500 lbs.	64-73 ft.	60 lbs.	50 in.	38 in.	27" in.
94024	90H	6,300 lbs.	73-76 ft.	90 lbs.	54 in.	41 in.	29-1/4 in.
94025	150H	7,000 lbs.	76-80 ft.	150 lbs.	57-1/4 in.	43-1/2 in.	30-1/2 in.
94026	190H	7,700 lbs.	80-83 ft.	190 lbs.	61 in.	46 in.	33-1/2 in.

Hooker ANCHORS

HOOKER QUIK-SET

This economy anchor is hot dip galvanized and features a slip-ring design for quick and easy retrieval. The single-crown construction solidifies the holding power of the anchor, while strengthening breaks on the flukes provide firm rapid penetration in a variety of conditions - ensuring you'll be Quik-Set at any time.



Part ID:	Model	Holding Power	Boat Length	Anchor Weight	Anchor Height	Stock Width	Fluke Height
95006	5HQ	120 lbs.	10-15 ft.	3.5 lbs.	13.5 in.	11-1/2 in.	9 in.
95011	7HQ	150 lbs.	15-19 ft.	4.5 lbs.	13.5 in.	14-1/2 in.	9-1/2 in.
95016	10HQ	160 lbs.	19-24 ft.	5 lbs.	16.5 in.	14-1/2 in.	10 in.
95021	13HQ	180 lbs.	24-28 ft.	6.5 lbs.	21 in.	18-1/4 in.	11-3/4 in.
95026	15HQ	200 lbs.	28-30 ft.	8 lbs.	21 in.	18-1/4 in.	14-1/2 in.

SUPER HOOKER

A traditional design manufactured with durable materials make the Super Hooker Anchors a reliable and economical alternative while maintaining maximum holding power. Hot dip galvanized for long lasting protection.



Part ID:	Model Size	Holding Power	Boat Length	Anchor Weight	Anchor Height	Stock Width	Fluke Height
95030	#2-1/2	130 lbs.	< 12 ft.	3 lbs.	17-1/4 in.	13 in.	9 in.
95035	#4	240 lbs.	12-16 ft.	4 lbs.	19-1/2 in.	14-3/4 in.	10-1/2 in.
95040	#8	480 lbs.	16-24 ft.	9 lbs.	24 in.	18-1/4 in.	12 in.
95045	#13	740 lbs.	24-30 ft.	14 lbs.	28-1/4 in.	21-1/2 in.	14-1/4 in.
95050	#18	1,050 lbs.	30-34 ft.	18 lbs.	31-3/4 in.	24 in.	16-1/2 in.
95055	#22	1,300 lbs.	34-38 ft.	25 lbs.	35 in.	26-3/4 in.	19 in.
95060	#40	1,600 lbs.	38-43 ft.	43 lbs.	40-3/4 in.	31 in.	22 in.
95065	#65	2,400 lbs.	43-53 ft.	75 lbs.	50 in.	38 in.	26-1/2 in.
95070	#85	2,800 lbs.	53-60 ft.	96 lbs.	54 in.	41 in.	28-3/4 in.

ANCHORS

ANCHOR KITS

DANFORTH® S600 Anchor Kit

Kit includes: S600 Danforth® Anchor, 1 - Coil of 3/8 in. x 150 ft. nylon anchor line w/thimble, 1 - 1/4 in. x 4 ft. Stainless Steel chain and 2 shackles

Part ID: **95096**



SUPER HOOKER KITS

#8 Anchor Kit

Kit includes: #8 Super Hooker Anchor, 1 - Coil of 3/8 in. x 100 ft. nylon anchor line w/thimble, 1 - Coil of 1/4 in. x 6 ft. galvanized chain and 2 - 5/16 in. shackles

Part ID: **95095**

#13 Anchor Kit

Kit includes: #13 Super Hooker Anchor, 1 - Coil of 3/8 in. x 100 ft. nylon anchor line w/thimble, 1 - Coil of 1/4 in. x 6 ft. galvanized chain and 2 - 5/16 in. shackles

Part ID: **95100**



HOOKER QUIK-SET 10HQ Anchor Kits

Kit includes: 10HQ Quik Set Anchor, 1 - Coil of 3/8 in. x 100 ft. nylon anchor line w/thimble, 1 - Coil of 1/4 in. x 4 ft. galvanized chain and 2 - Each 5/16 in. shackles

Part ID: **95090**



TIE DOWN MATE

The original beach security anchor from Tie Down. Ideal for mooring personal watercraft or small boats. Screws into and out of the sand easily. Removable handle stows inside the anchor tube for added convenience. The Tie Down Mate Kit includes the Tie Down Mate, 15 ft. nylon rope anchor line, water float and a nylon carrying bag.

Tie Down Mate

Part ID: **86071**

Tie Down Mate Kit

Part ID: **86072**



ANCHOR ACCESSORIES

DANFORTH ANCHOR LINE

- 3-Strand Twisted
- 100% Premium Nylon
- Mildew Resistant
- Safe Working Load: 650 lbs.
- Pre-Spliced with Anchor Thimble
- Ultra Violet Inhibitors
- High Tenacity
- Tensile Strength: 3,240 lbs.

100 ft Anchor Line
150 ft. Anchor Line

Part ID: **18030**
Part ID: **18032**



GALVANIZED CHAIN & SHACKLES

Part ID:	Chain	Shackles	Working Load
95130	1/4 in. x 6 ft.	1/4 in. / 2 ea.	1,250 lbs.
95135	5/16 in. x 6 ft.	5/16 in. / 2 ea.	1,900 lbs.
95140	3/8 in. x 6 ft.	3/8 in. / 2 ea.	2,650 lbs.
95131	3/16 in. x 4 ft.	Expanded Link	800 lbs.
95132	1/4 in. x 6 ft.	Expanded Link	1,250 lbs.
95133	5/16 in. x 6 ft.	Expanded Link	1,900 lbs.
95134	1/4 in. x 5 ft.	Expanded Link	1,250 lbs.



POLYMER COATED

Guard your boat and line with the high-quality white powder coated anchor chain. Attach between your anchor line and anchor for safe anchoring. Helps keep the anchor shank low, allowing the flukes to further penetrate with up to 1300 pounds of break strength. 1/4in. width and available in 4 ft. (packaged) and 6 ft. (bulk) lengths.

4 ft. Part ID: **95215**

6 ft. Part ID: **18001**



ANCHOR DISPLAY STAND

Customers can be quickly directed to the appropriate anchor for their marine application. This stand is easy to install and allows you to make the most of your store space while showcasing up to 14 anchors. Features a 4-color PVC header card and a steel black powder-coat finish. Display Stand Dimensions: 30 in. deep x 51 in. wide x 69 in. tall.

Display Stand with Header Card
Header Display Card Only

Part ID: **94099**
Part ID: **15099**



DOCK HARDWARE

DOCK HARDWARE

Tie Down dock hardware is available in Standard Grade (3/16 in.) or Commercial Grade (1/4 in.) galvanized steel. Tie Down dock hardware is designed for use with 1-1/2 in. thick lumber (minimum width 6 in.). All hardware is mounted with 3/8 in. carriage bolts unless otherwise noted. All male and female dock to dock connections are made with either 3/4 in. bolts with lock nuts or 3/4 in. connecting pins. Tie Down's Wood Dock Plan Kit (available online) demonstrates the features available to guide you on building a sturdy, lightweight and long lasting floating dock system.

LAG BOLT SET

Bolts and flat washer are hot dip galvanized and primarily used to attach flotation drums to dock system. **8 per bag.**

Standard/Commercial - 3/8 in. x 2 in.	Part ID: 24287
Standard/Commercial - 3/8 in. x 3 in.	Part ID: 24289
Standard/Commercial - 3/8 in. x 5 in.	Part ID: 24292



CARRIAGE BOLT SET

Set includes carriage bolt, flat washer and nut. Hot dip galvanized. **8 per bag.**

Standard Grade - 3/8 in. x 2-1/2 in.	Part ID: 26534
Commercial Grade - 1/2 in. x 3 in.	Part ID: 26535
Commercial Grade - 1/2 in. x 5 in.	Part ID: 26536



HEX HEAD BOLT SET

Galvanized kit includes 3/4 in. x 3-1/2 in. hex head bolt and nut. Used to connect male and female T connectors. **8 per bag**

Part ID: **24279**



DOCK HARDWARE

CONNECTOR PIN SET

Designed for quick disconnect. Used to connect male and female T connectors. Set includes galvanized 3/4 in. connector pin and hitch clip pin.

Part ID: **26531**



OUTSIDE CORNER/FEMALE

Use with a female outside corner to connect docks end to end. Joint requires 3/4 in. bolt set or connector pin. Each leg is 10 in. x 5 in.

Standard Grade - 1/2 in. welded tabs
Commercial Grade - 1/2 in. welded tabs

Part ID: **26521**
Part ID: **26400**



OUTSIDE CORNER/MALE

Use with a female outside corner to connect docks end to end. Joint requires 3/4 in. bolt set or connector pin. Each leg is 10 in. x 5 in..

Standard Grade - 1/2 in. welded tab
Commercial Grade - 1/2 in. welded tab
Commercial Grade - 3/4 in. welded tab

Part ID: **26522**
Part ID: **25491**
Part ID: **26418**



OUTSIDE CORNER END

Use this corner at ends of fingers and docks. Ideal for swim floats and ski jump corners.

Standard Grade - 10 in. x 5 in.
Commercial Grade - 10 in. x 5 in.
Commercial Grade - 12-1/4 in. x 5 in.

Part ID: **26523**
Part ID: **26402**
Part ID: **26428**



DOCK HARDWARE

INSIDE CORNER

This heavy duty inside corner should be used with one of the outside corners.

- Standard Grade
8-1/4 in. x 5 in. with 2 in. elongated holes Part ID: **26524**
- Commercial Grade
8-1/4 in. x 5 in. with 2-1/4 in. elongated holes Part ID: **26403**
- Commercial Grade
8-1/4 in. x 5 in. with 3 in. elongated holes Part ID: **26417**
- Commercial Grade
8-1/4 in. x 5 in. with square holes Part ID: **26401**
- Commercial Grade
10-1/2 in. x 5 in. with 2-1/4 in.* Part ID: **26424**
- Commercial Grade
8-1/4 in. x 5 in. with 2-1/4 in.* Part ID: **26430**

*Elongated holes and larger brace



INSIDE ROLLING RAMP BRACKET

5 in. x 11 in. x 1/4 in. galvanized steel includes left and right ramp brackets.

- Commercial Grade Part ID: **26431**



MALE T CONNECTOR

Has one welded 1/2 in. tab. Use with female T connector to attach fingers and ramps, 5 in. x 5 in. 3/4 in. bolt set required for joint.

- Standard Grade
.438 in. Square Holes 3.5 in. OC Part ID: **26532**
- Commercial Grade
.562 in. Square Holes 3.5 in. OC Part ID: **26408**
- Commercial Grade with 3/4" tab
.562 in. Square Holes 3.5 in. OC Part ID: **26427**



TIE DOWN DOCK HARDWARE

FEMALE T CONNECTOR

Has two welded 1/2 in. tabs. Bolts to side of dock to attach fingers and ramps. Measures 5 in. x 5 in.

Standard Grade

.438 in. Square Holes 3.5 in. OC

Part ID: **26528**

Commercial Grade

.562 in. Square Holes 3.5 in. OC

Part ID: **26407**



WASHER PLATE

Use two washer plates with each angle. Measures 1-1/2 in. x 5 in.

Standard Grade

.438 in. Square Holes 3.5 in. OC

Part ID: **24284**

Commercial Grade

.562 in. Square Holes 3.5 in. OC

Part ID: **26409**



BACK UP PLATE

5 in. x 5 in. reinforcing plates are used to back up the single T males and females.

Commercial Grade

.562 in. Square Holes 3.5 in. OC

Part ID: **26413**



DOCK HARDWARE

ANGLE BRACKETS & CLIPS

Use these heavy-duty angles for all cross supports.
All brackets are commercial grade.

10 in. x 3 in., 3 holes	Part ID: 26379
2-1/2 in. x 2-1/2 in.	Part ID: 26399
2-3/4 in. x 2-1/2 in.	Part ID: 26392
2-1/2 in. x 5 in.	Part ID: 26406
2-1/2 in. x 5 in. (a)	Part ID: 26527
4 in. x 7 in. (b)	Part ID: 26380
3 in. x 3 in. x 5 in.	Part ID: 26398
4 in. x 8 in.	Part ID: 26397
Cleat Angle 2-3/4 in. x 5 in.	Part ID: 26422

a



b



INSIDE CORNER PIPE HOLDER

These heavy duty inside corner pipe holders can be used with various outside corner brackets. Tie Down offers both standard and commercial versions of 2 in. ID. or 3 in. ID. pipe holders. Measures 8-1/2 in. x 5 in. Requires carriage bolt set for attaching.

Inside Corner Pipe Holder 2 in. ID.

Standard Grade	Part ID: 26526
Commercial Grade	Part ID: 26405

Inside Corner Pipe Holder 3 in. ID.

Standard Grade	Part ID: 26525
Commercial Grade	Part ID: 26404



TIE DOWN DOCK HARDWARE

OUTSIDE PIPE HOLDER

Pipe Holder bolts to the outside of the dock. Carriage bolt set required for attaching. Pipe Holder has a 3 in. ID. for use with 2 in. pipe to hold dock in place.

Standard Grade
Commercial Grade

Part ID: **24280**
Part ID: **26411**



CHAIN RETAINER

Bolts to side of dock. Use weights and chains to hold dock in place. Accommodates 1/4 in., 3/8 in., & 1/2 in. chain. Measures 5 in. x 5 in.

Standard Grade
Commercial Grade

Part ID: **26529**
Part ID: **26410**



14" INTERNAL PILE HOLDER

The interior width of 14 in., pile holder will allow it to be used with piling up to 13-1/2 in. in diameter. Four 6 in. rubber rollers allow dock movement for usage in tidal areas or where water levels change. Overall dimensions of part are 24 in. x 24 in. x 7-15/16 in.

Commercial Grade

Part ID: **26434**



DOCK HARDWARE

BACKING PLATE/HURRICANE STRAP

Standard Grade 7 gauge steel plates have four holes for customized mounting options and placement. Available in 2 in. or 4 in. widths.

Standard Grade

Backing plate - 4 in. x 18 in.

Part ID: **26396**

Backing plate - 2 in. x 18 in.

Part ID: **26369**



14 IN. ROLLER PILE HOLDER

Commercial grade piling hoop is constructed of 1-1/2 in. pipe and has a 14-1/2 in. interior width. Features a durable 12 in. poly-vinyl roller mounted on a 1-1/4 in. diameter shaft. Can be used with pilings up to 14 in. in diameter. Overall dimensions of part are 24-1/4 in. x 4-1/4 in. x 22-1/2 in.

Commercial Grade

Part ID: **26423**



CHAIN PILE HOLDER

For use as a pile holder with 3/8 in. galvanized chain and shackles. Can be adjusted for various pile diameters. 20-1/4 in. x 4-1/4 in. x 4-1/4 in. x 1/4 in. Steel

Commercial Grade

Part ID: **26419**



PILING HOOP

Commercial Grade heavy duty galvanized 1/4 in. steel flat hoops measure 3 in. high. Available in four sizes for piling diameters between 8-14 in.

Commercial Grade

14 in. x 3 in. with 4 in. radius for 8 in. Piles Part ID: **26429**

Commercial Grade

16 in. x 3 in. with 5 in. radius for 10 in. Piles Part ID: **26391**

Commercial Grade

18 in. x 3 in. with 6 in. radius for 12 in. Piles Part ID: **26394**

Commercial Grade

20 in. x 3" with 7 in. radius for 14 in. Piles Part ID: **26393**



DOCK HARDWARE

DECK PLATE

This heavy duty 3/16 in. thick angle can be bolted from the top and side of the dock and used with piling hoops. The hoop can then be bolted to the angle, allowing it to be removed seasonally. 22 in. long with a top width of 4 in. and bottom width of 6 in.

Commercial Grade

Part ID: **26416**



HEAVY DUTY PILING HOOP

Designed for pilings up to 12 in. in diameter. The commercial grade hoop is constructed of 1-1/2 in. pipe and is hot dip galvanized for lasting protection against corrosion. It can be bolted directly to the side of the dock or to the optional Deck Plate (Part #26416).

Commercial Grade

Part ID: **26412**



DOCK ROLLER ASSEMBLY

Heavy duty roller assembly that can be mounted directly to dock or on to deck plates (part # 26416 and #26447). Assembly contains a 5/8 in. stainless steel roller shaft with removable cotter pins and a 6 in. black rubber roller.

Commercial Grade

Part ID: **26414**



PILING HOOP ROLLER ASSEMBLY

Piling Hoop Roller Assembly is designed for dock pilings up to 12 in. diameter especially in areas with lots of wind, heavy current, or tidal action. The assembly combines the piling hoop (Part #26412) and dock roller assembly (Part #26414) to accommodate constant up-and-down movement easier while protecting the dock.

Commercial Grade

Part ID: **26415**



DOCK HARDWARE

PILING ROD

These commercial grade piling rods are designed for mooring boats where tidal changes and fluctuating water levels require a movable tethering point. Rod is available in lengths of 5 ft. or 6 ft. Each rod consists of a solid 1 in. steel bar welded to two mounting plates, measuring 3/8 in. x 3 in. x 3 in with a single hole in each. The holes in mounting plates are sized for use of 5/8 in. bolts. Hot dip galvanized finish will provide superior corrosion protection. Rods are used in conjunction with a 1/2 in. by 4 in. steel ring (Part ID: 26442 -sold separately).

Commercial Grade 5 ft.
Commercial Grade 6 ft.

Part ID: **26440**
Part ID: **26441**



PILING RING

Galvanized steel 1/2 in. x 4 in. ring for use with piling rods (part #26440 or #26441 -sold separately).

Part ID: **26442**

ROUND PILING HOOP

Commercial grade 2 in. round steel piling hoop with 3/8 in. welded mounting tabs can be secured directly to dock wit carriage bolts or with the Universal Deck Plate (Part ID: 26447 sold separately) to allow easy removal and a more secure attachment point. Available in three sizes: 12 in., 14 in., or 16 in.

Commercial Grade 12 in.
Commercial Grade 14 in.
Commercial Grade 16 in.

Part ID: **26444**
Part ID: **26445**
Part ID: **26446**



UNIVERSAL DECK PLATE

Heavy duty universal deck plate features four slots that can be used with any Tie Down piling hoop. Plate measures 24 in. (long) x 6 in. (top) x 5 in. (side) and is sized to be bolted to dock from top and side. Holes and slots allow top and side mounting of roller assembly (Part ID: 26414 sold separately) for added versatility.

Commercial Grade

Part ID: **26448**



TIE DOWN DOCK HARDWARE

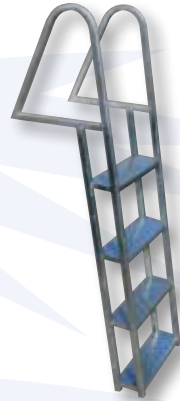
DOCK LADDERS

Ladders available in two finishes; blue powder coat and galvanized (silver finish); and in three sizes - 3 step, 4 step, and 5 step. Steps are galvanized or powder coated for extra protection. Galvanized version protects against rust and corrosion in salt water. 300 lb. capacity.



Blue Powder Coat Part ID:
3 Step Ladder **27273**
4 Step Ladder **27274**
5 Step Ladder **27275**

Replacement Step
(1 per pack) **25505**



Galvanized Part ID:
3 Step Ladder **28273**
4 Step Ladder **28274**
5 Step Ladder **28275**

Replacement Step
(1 per pack) **25508**

ALUMINUM DOCK LADDERS

High-quality, marine-grade aluminum dock ladders are lightweight and are an ideal alternative for saltwater docks. Aluminum treadplate steps provide additional traction in water and are welded on the frame. Ladders are available in three size options - 3 step, 4 step and 5 step. 300 lb. capacity.

Aluminum Part ID:
3 Step Ladder **29273**
4 Step Ladder **29274**
5 Step Ladder **29275**

Replacement Step
(1 per pack) **25509**



SPEED RELEASE MOUNTING BRACKET

Galvanized steel mounting bracket is bolted directly to dock and allows for a quick release of dock ladder. Recommended for any Tie Down dock ladder.

Part ID: **27271**





TIE DOWN

MANUFACTURING INGENUITY

Marine Division

TIE DOWN

Atlanta, Georgia 30336

800-241-1806 • 404-344-0000

www.tiedown.com

Trade, brand, and product names are the property of TIE DOWN

ISO 9001:2015 Certification

Catalog #15394 (A693, Rev. 5/24/2022)

©2019 TIE DOWN, Inc.